

TMX AT04

SAW Filter datasheet

3.8 x 3.8 x 1.2 mm, SMD

Table of Contents

Features	1
Maximum Ratings	1
Frequency and Electrical Characteristics (Reference temperature @ 25°C)	1
Model Outline, Pin Connection and Marking	2
Test Circuit	2
Frequency Characteristics	3
Packaging	3

TMX AT04

SAW Bandpass Filters | Wireless Communications

Features

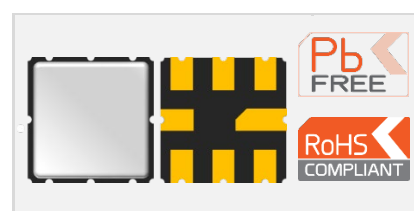
Features

- 868.3 MHz center frequency
- Ceramic package for Surface Mounted Technology
- 0.78 MHz useable Passband
- 50 Ω Single Configuration with external matching network

Applications

- Remote control - RF
- Wireless applications:
 - Home appliances
 - Security systems

3.8 x 3.8 x 1.2 mm



Maximum Ratings

Parameter	Min.	Typ.	Max.	Unit
Storage temperature range (T_{stg})	-40		85	°C
Operating temperature range (T_A)	-40		85	°C

Frequency and Electrical Characteristics (Reference temperature @ 25°C)

Parameter	Min.	Typ. ¹	Max.	Unit
Source impedance (Single)		50		Ω
Load impedance (Single)		50		Ω
Center frequency (f_c)		868.3		MHz
Bandwidth (BW, passband width)	0.78	1.50		MHz
Absolute Attenuation				dB
From 10 to 700 MHz	55	60		
From 700 to 830 MHz	45	50		
From 830 to 850 MHz	40	45		
From 850 to 865 MHz	30	35		
From 871 to 874.5 MHz	20	25		
From 874.5 to 883 MHz	25	33		
From 883 to 900 MHz	35	40		
From 900 to 1000 MHz	45	50		
Insertion Loss (IL, 868 – 868.78 MHz)		2.7	4.2	dB

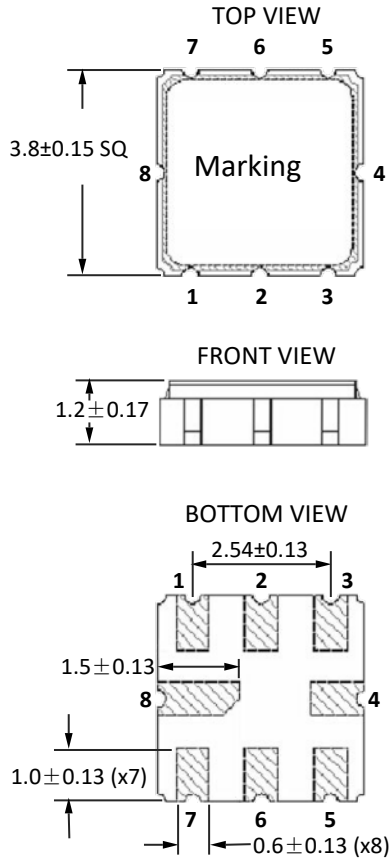
¹ Typical values are nominal performances at room temperature

TMX AT04

SAW Bandpass Filters | Wireless Communications



Model Outline, Pin Connection and Marking

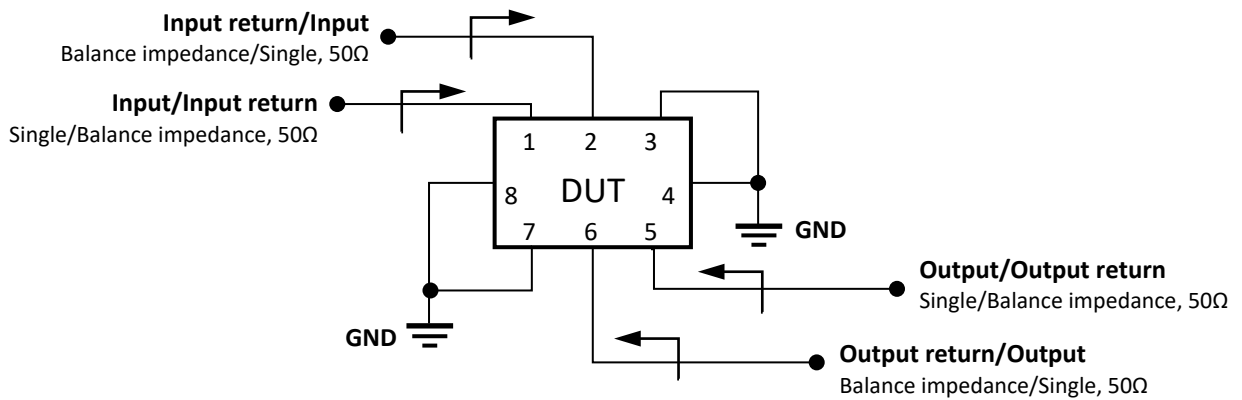


Marking		Note
Line 1	NNNN	Reference to RakonXpress part number with only the last 4 digits
Line 2	RYWWZZ	R = Partner identifier Y = Last digit of the year WW = Number of week in the year ZZ = Lot number in the week (from AA to ZZ)
Line 3	•	• = Identify black dot

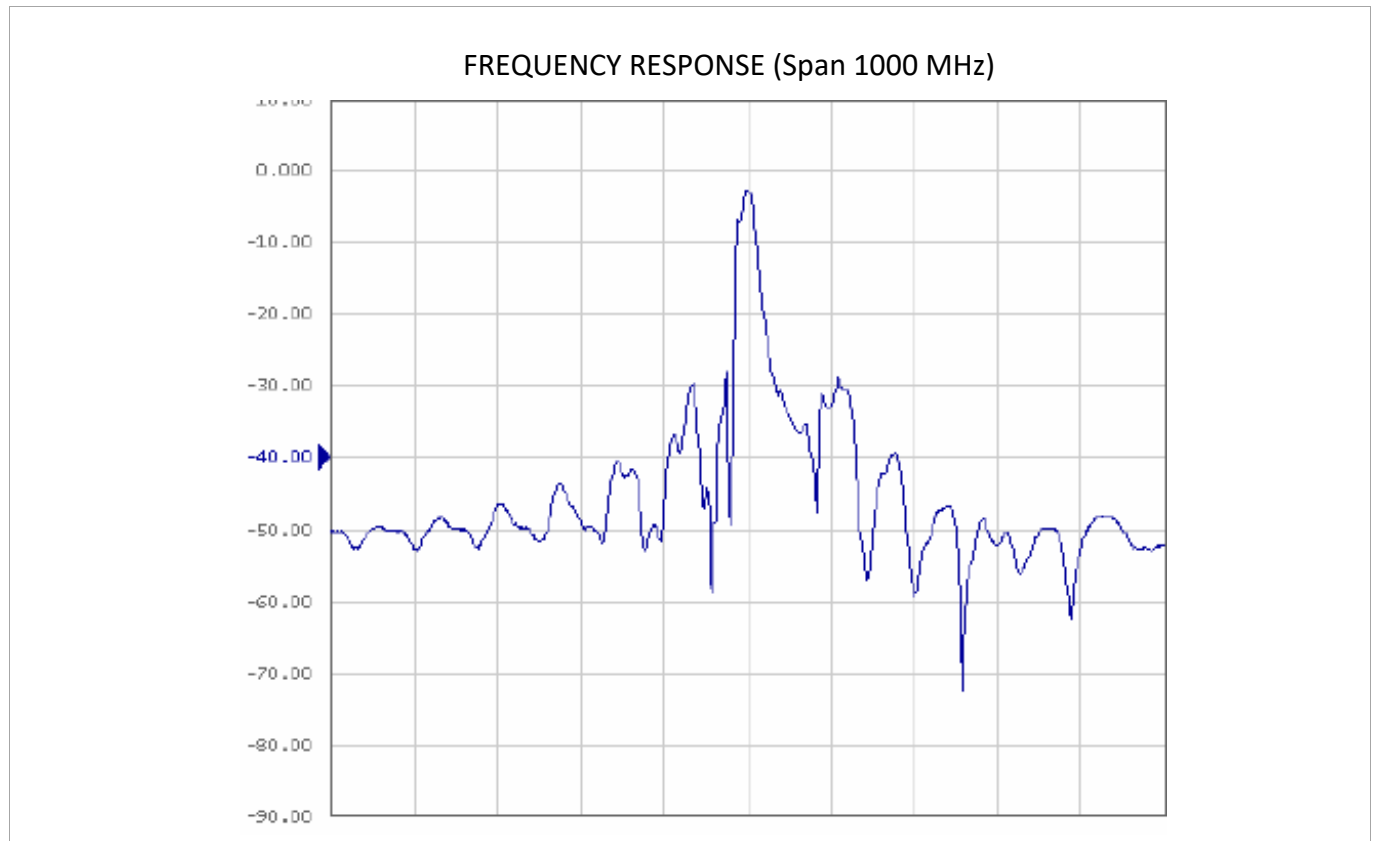
Pin	Connections
1 or 2	Input
2 or 1	Input return
5	Output
6	Output return
4, 8	Case ground
3, 7	Grounded (GND)

Unit: mm

Test Circuit



Frequency Characteristics



Packaging

