

TMX AT13

SAW Filter datasheet

3.8 x 3.8 mm, SMD

Table of Contents

Features	1
Maximum Ratings	1
Frequency and Electrical Characteristics (Reference temperature @ 25°C)	1
Model Outline, Pin Connection and Marking	2
Test Circuit	2
Frequency Characteristics	3
Packaging	4

TMX AT13

SAW Bandpass Filters | Wireless Communications

Features

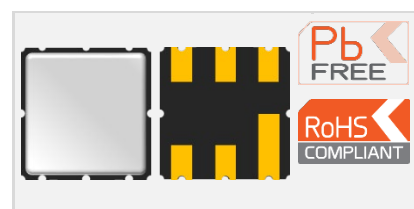
Features

- 915 MHz center frequency
- Ceramic package for Surface Mounted Technology
- Low Loss: 2.5 dB typical value within PassBand Width 902 ~ 928 MHz
- No matching network required for operation at 50 Ω

Applications

- Remote control - RF
- Wireless applications:
 - Home appliances
 - Security systems

3.8 x 3.8 mm



Maximum Ratings

Parameter	Min.	Typ.	Max.	Unit
Storage temperature range (T_{stg})	-40		85	°C
Operating temperature range (T_A)	-30		80	°C
DC Voltage (V_{DC})			5	V
Input Power			20	dBm

Frequency and Electrical Characteristics (Reference temperature @ 25°C)

Parameter	Min.	Typ. ¹	Max.	Unit
Source impedance (Single)		50		Ω
Load impedance (Single)		50		Ω
Center frequency (f_c)		915		MHz
Bandwidth (BW, passband width)	26.00			MHz
Absolute Attenuation				dB
From DC to 800 MHz	50	60		
From 800 to 845 MHz	50	55		
From 845 to 879 MHz	45	50		
From 950 to 990 MHz	25	30		
From 990 to 1200 MHz	50	60		
From 1200 to 2000 MHz	30	38		
Insertion Loss (IL, 902 – 928 MHz)		2.5	3.2	dB
Amplitude ripple (902 – 928 MHz)		0.7	1.6	dB
VSWR (902 – 928 MHz)		1.45	2.0	–

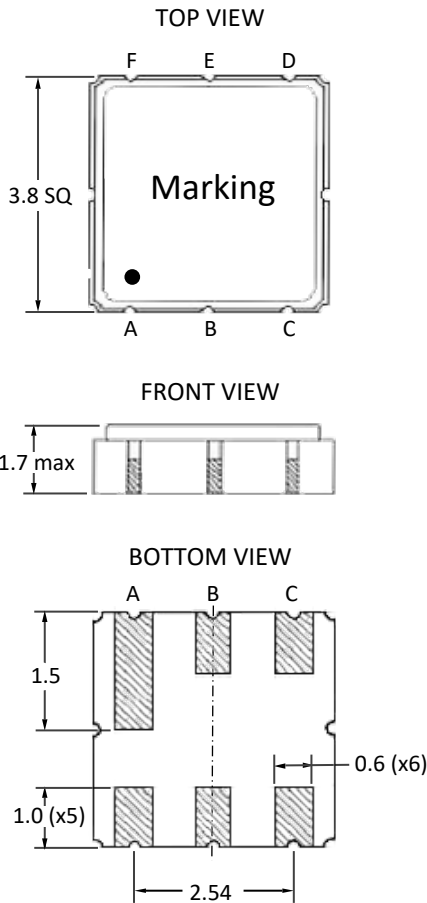
¹ Typical values are nominal performances at room temperature

TMX AT13

SAW Bandpass Filters | Wireless Communications



Model Outline, Pin Connection and Marking

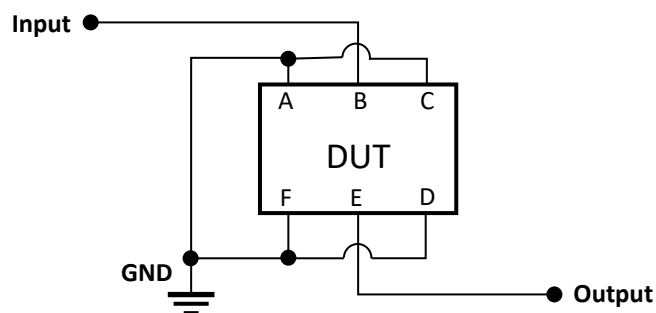


Marking		Note
Line 1	NNNN	Reference to RakonXpress part number with only the last 4 digits
Line 2	RYWWZZ	R = Partner identifier Y = Last digit of the year WW = Number of week in the year ZZ = Lot number in the week (from AA to ZZ)
Line 3	•	• = Identify black dot

Pin	Connections
B	Input
E	Output
A, C, D, F	Ground

Unit: mm

Test Circuit

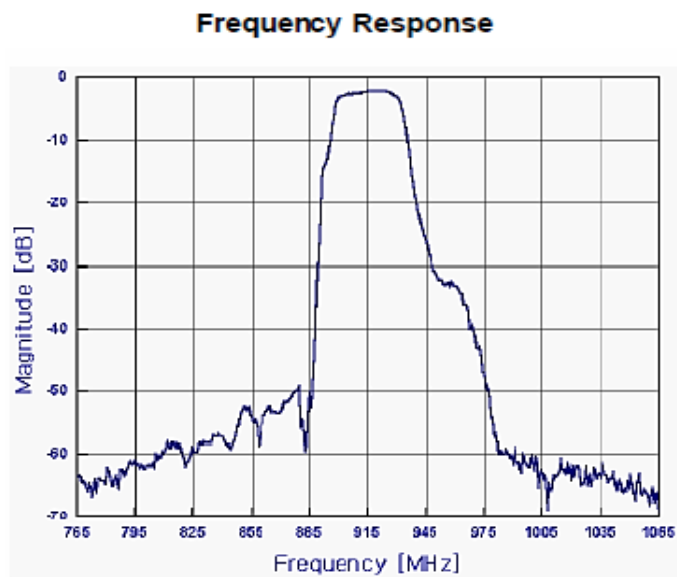
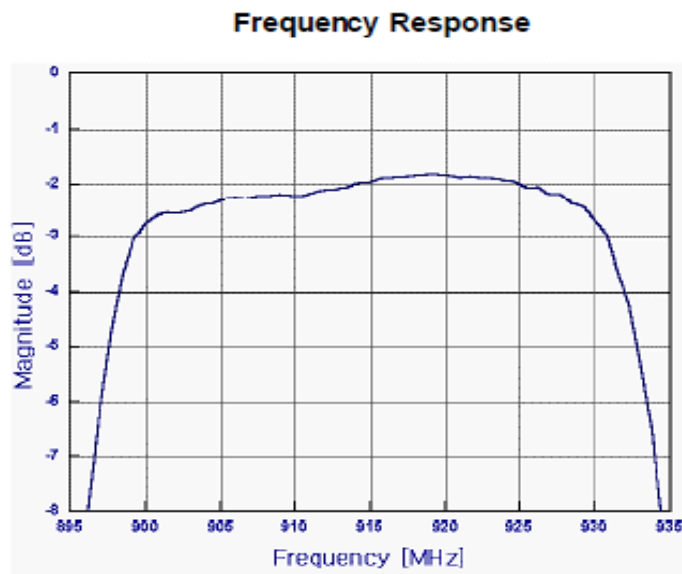


TMX AT13

SAW Bandpass Filters | Wireless Communications



Frequency Characteristics



TMX AT13

SAW Bandpass Filters | Wireless Communications



Packaging

REEL DETAILS:

