

TMX CT04

SAW Filter datasheet

3.0 x 3.0 x 1.3 mm, SMD

Table of Contents

Features	1
Maximum Ratings	1
Frequency and Electrical Characteristics (Reference temperature @ 25°C)	1
Model Outline, Pin Connection and Marking	2
Test Circuit	2
Frequency Characteristics	3
Packaging	4

TMX CT04

SAW Bandpass Filters | Wireless Communications

Features

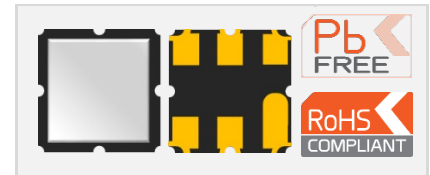
Features

- 433.92 MHz center frequency
- Ceramic package for Surface Mounted Technology
- RF SAW Filter
- 50 Ω Single Configuration

Applications

- Remote control - RF
- Wireless applications:
 - Home appliances
 - Security systems

3.0 x 3.0 x 1.3 mm



Maximum Ratings

Parameter	Min.	Typ.	Max.	Unit
Storage temperature range (T_{stg})	-40		85	°C
Operating temperature range (T_A)	-10		60	°C
DC voltage (V_{DC})			3	V
RF Power Dissipation			10	dBm

Frequency and Electrical Characteristics (Reference temperature @ 25°C)

Parameter	Min.	Typ. ¹	Max.	Unit
Source impedance ² (Single ended)		50		Ω
Load impedance ² (Single ended)		50		Ω
Center frequency (f_c)		433.92		MHz
Bandwidth (BW, passband width)	1.71			MHz
Absolute Attenuation (reference from 0 dB)				
From 389.0 to 392.0 MHz	42	54		dB
From 411.0 to 414.0 MHz	40	50		dB
From 454.0 to 457.0 MHz	40	51		dB
From 475.5 to 478.5 MHz	42	52		dB
Insertion Loss (IL, 433.00 – 434.71 MHz)		2.0	2.7	dB
Amplitude ripple (433.00 – 434.71 MHz)		0.3	1.3	dB

¹ Typical values are nominal performances at room temperature

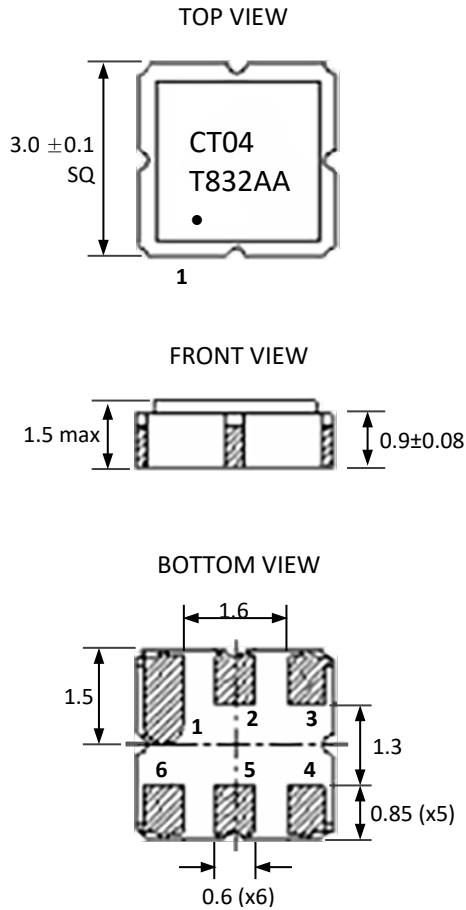
² No external matching is required

TMX CT04

SAW Bandpass Filters | Wireless Communications



Model Outline, Pin Connection and Marking



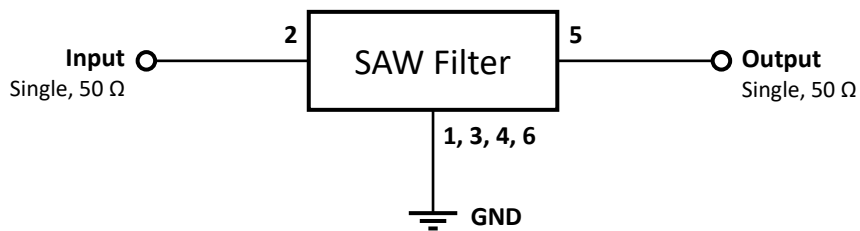
Marking		Note
Line 1	CT04	Reference to RakonXpress part number with only the last 4 digits
Line 2	T832AA	T = Partner identifier 8 = Last digit of the year 32 = Number of week in the year AA = Lot number in the week (from AA to ZZ)
Line 3	•	• = Identify black dot

Pin	Connections
2	Input
5	Output
1, 3, 4, 6	Case Ground

Unit: mm

Test Circuit

50 Ω / 50 Ω Configuration

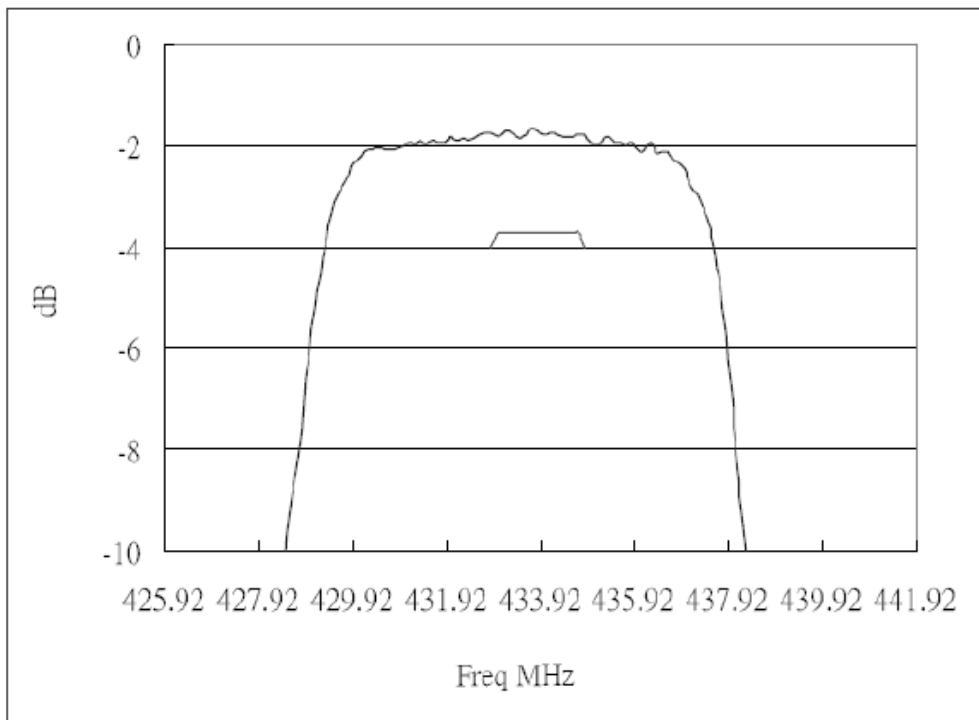
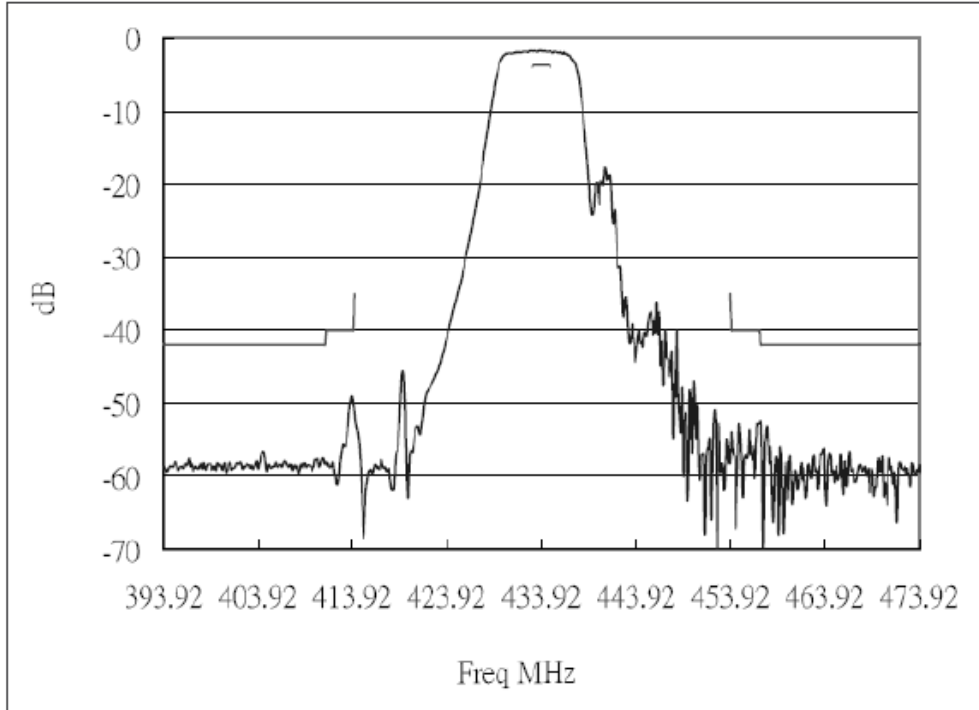


TMX CT04

SAW Bandpass Filters | Wireless Communications



Frequency Characteristics



TMX CT04

SAW Bandpass Filters | Wireless Communications



Packaging

REEL DETAILS:

