

TMX DT01

SAW Filter datasheet

3.0 x 3.0 mm x 1.3, SMD

Table of Contents

Features	1
Maximum Ratings	1
Frequency and Electrical Characteristics (Reference temperature @ 25°C)	1
Model Outline, Pin Connection and Marking	2
Test Circuit	2
Frequency Characteristics	3
Packaging	4

TMX DT01

SAW Bandpass Filters | Wireless Communications

Features

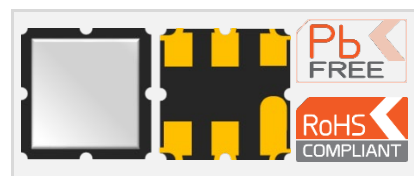
Features

- 916.45 MHz center frequency
- Ceramic package for Surface Mounted Technology
- RF SAW Filter

Applications

- Remote control - RF
- Wireless applications:
 - Home appliances
 - Security systems

3.0 x 3.0 x 1.3 mm



Maximum Ratings

Parameter	Min.	Typ.	Max.	Unit
Storage temperature range (T_{stg})	-40		85	°C
Operating temperature range (T_A)	-30		85	°C
DC voltage (V_{DC})			5	V
Maximum Input Power			15	dBm

Frequency and Electrical Characteristics (Reference temperature @ 25°C)

Parameter	Min.	Typ. ¹	Max.	Unit
Center frequency (f_c)		916.45		MHz
Bandwidth (BW @ 3dB, passband width)	4.00			MHz
Absolute Attenuation (reference from 0 dB)				dB
From DC to 600 MHz	55	57		
From 600 to 840 MHz	40	51		
From 869 to 894 MHz	35	46		
From 970 to 1500 MHz	40	47		
From 1500 to 3000 MHz	25	32		
Insertion Loss (IL, 914.45 – 918.45MHz)		2.7	3.5	dB
Amplitude ripple (914.45 – 918.45MHz)		0.3	1.0	dB
Source impedance ² (Single ended)		50		Ω
Load impedance ² (Single ended)		50		Ω

¹ Typical values are nominal performances at room temperature

² No external matching is required

TMX DT01

SAW Bandpass Filters | Wireless Communications



Model Outline, Pin Connection and Marking

TOP VIEW

Dimensions: 3.0 SQ (side length)

Pin locations: A, B, C (bottom); D, E, F (top)

Marking area: Center of the package

Marking		Note
Line 1	NNNN	Reference to RakonXpress part number with only the last 4 digits
Line 2	RYWWZZ	R = Partner identifier Y = Last digit of the year WW = Number of week in the year ZZ = Lot number in the week (from AA to ZZ)
Line 3	•	• = Identify black dot

FRONT VIEW

Dimensions: 0.9 (height), 1.3 max (width)

SIDE VIEW

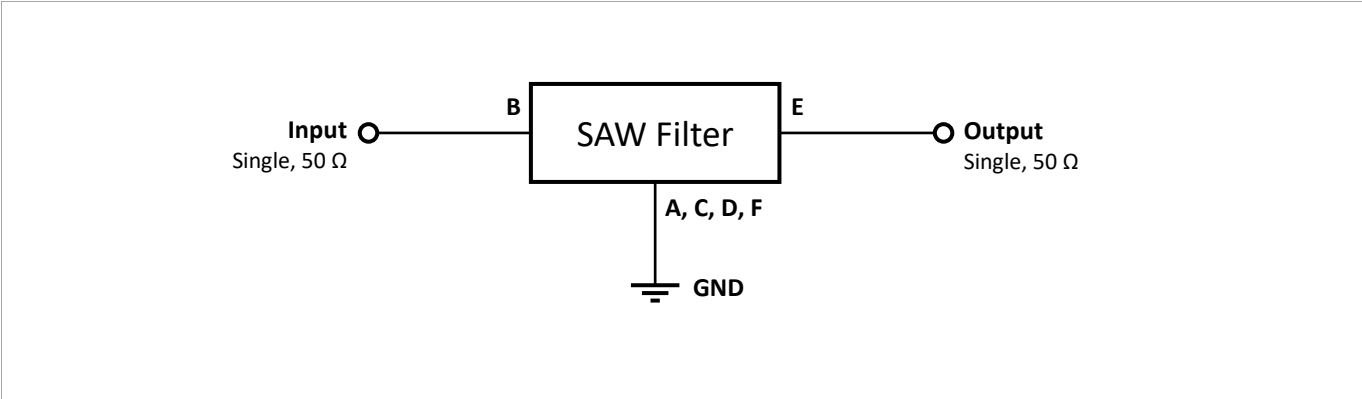
Pin	Connections
B	Input
E	Input Ground
A, C, D, F	Case Ground

BOTTOM VIEW

Dimensions: 2.54 (width), 0.6 (pin width), 1.5 (height), 0.65 (height), 1.3 (width), 1.6 (width)

Unit: mm

Test Circuit

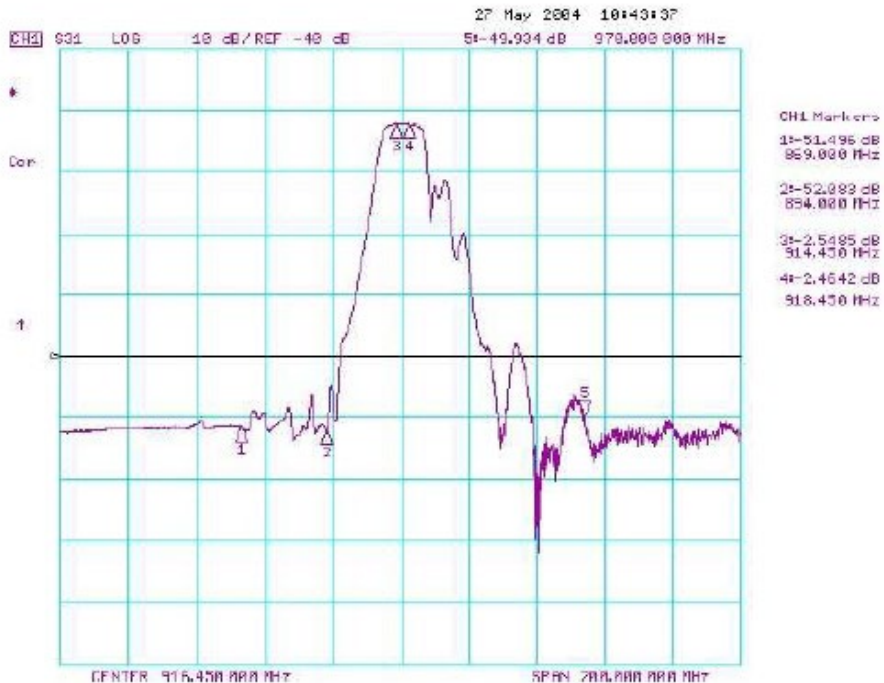
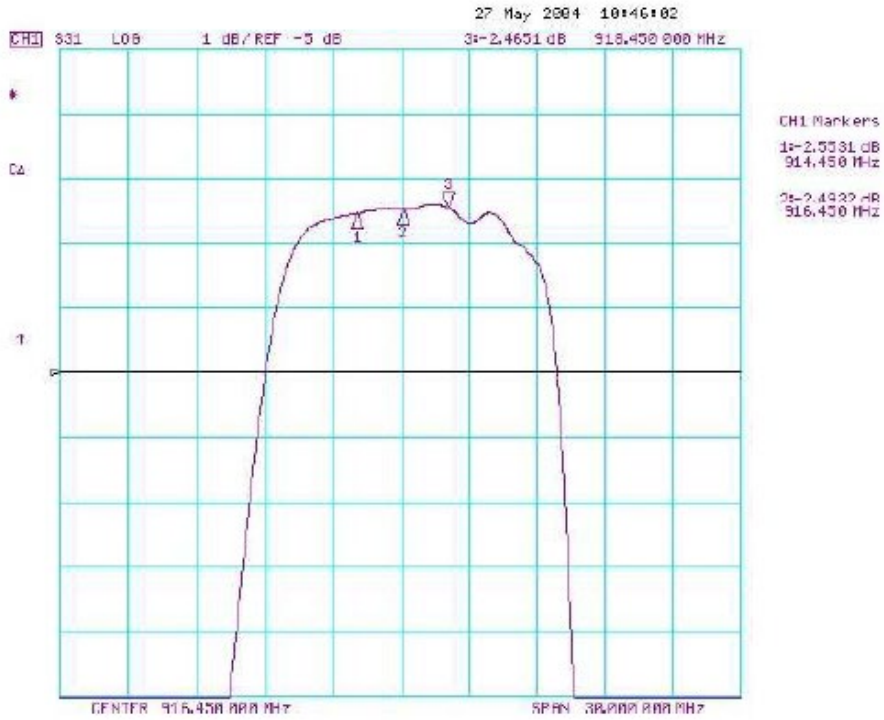


TMX DT01

SAW Bandpass Filters | Wireless Communications



Frequency Characteristics



TMX DT01

SAW Bandpass Filters | Wireless Communications



Packaging

REEL DETAILS:

