

TMX DT05

SAW Filter datasheet

3.8 x 3.8 x 1.25 mm, SMD

Table of Contents

Features	1
Maximum Ratings	1
Frequency and Electrical Characteristics (Reference temperature @ 25°C)	1
Model Outline, Pin Connection and Marking	2
Test Circuit	2
Frequency Characteristics	3

TMX DT05

SAW Bandpass Filters | Wireless Communications

Features

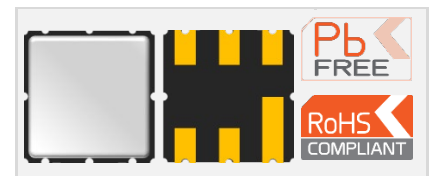
Features

- RF SAW Filter
- 448 MHz center frequency
- Ceramic package for Surface Mounted Technology

Applications

- Remote control - RF
- Wireless applications:
 - Home appliances
 - Security systems

3.8 x 3.8 x 1.25 mm



Maximum Ratings

Parameter	Min.	Typ.	Max.	Unit
Storage temperature range (T_{stg})	-10		60	°C
Operating temperature range (T_A)	-30		85	°C
DC Voltage (V_{DC})			3	V
RF Power Dissipation			10	dBm

Frequency and Electrical Characteristics (Reference temperature @ 25°C)

Parameter	Min.	Typ. ¹	Max.	Unit
Center frequency (f_c)		448		MHz
Bandwidth (BW, passband width)	3.00			MHz
Insertion Loss (IL, $f_c \pm 1.5$ MHz)		2.0	4.0	dB
Amplitude ripple ($f_c \pm 1.5$ MHz)		0.5	2.0	dB
Attenuation (Reference level from 0 dB)				
From 393.7 to 406.7 MHz	45	53		dB
From 406.7 to 492.3 MHz	45	51		dB
Source impedance ² (Single ended)		50		Ω
Load impedance ² (Single ended)		50		Ω

¹ Typical values are nominal performances at room temperature

² No external matching is required

TMX DT05

SAW Bandpass Filters | Wireless Communications



Model Outline, Pin Connection and Marking

TOP VIEW

FRONT VIEW

BOTTOM VIEW

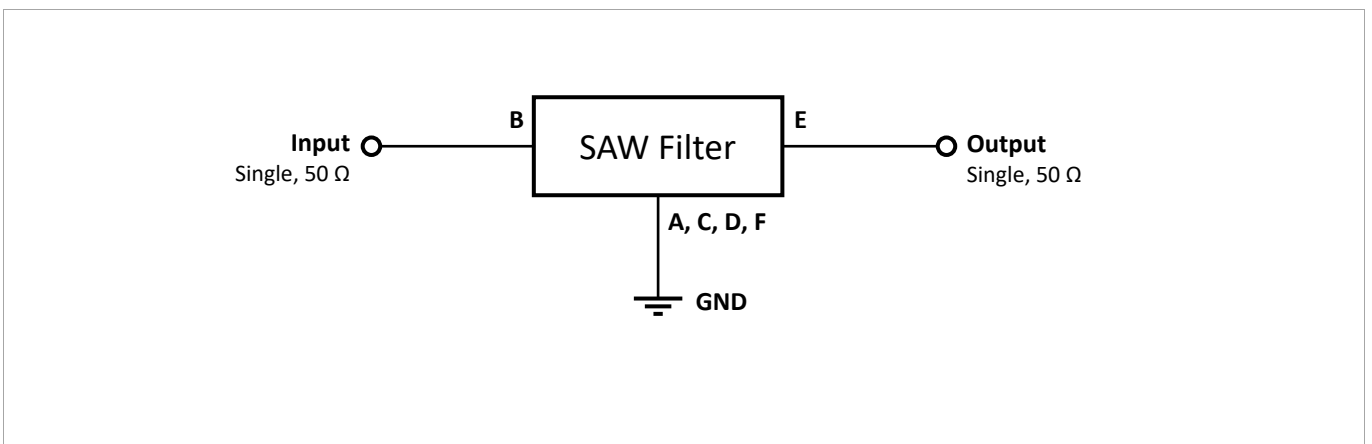
Marking		Note
Line 1	DT05	Reference to RakonXpress part number with only the last 4 digits
Line 2	T932AA	T = Partner identifier 9 = Last digit of year 2019 32 = Week 32 of the year AA = Lot number in the week (from AA to ZZ)
Line 3	•	• = Identify black dot

Pin	Connections
B	Input
E	Output
A, C, D, F	Case Ground

RECOMMENDED PAD LAYOUT TOP VIEW

Unit: mm

Test Circuit



Frequency Characteristics

