

TMX W347

SAW Filter datasheet

3.0 x 3.0 mm, SMD

Table of Contents

Features	1
Maximum Ratings	1
Frequency and Electrical Characteristics (Reference temperature @ 25°C)	1
Model Outline, Pin Connection and Marking	2
Test Circuit	2
Frequency Characteristics	3
Packaging	4

TMX W347

SAW Bandpass Filters | Communications GNSS Applications

Features

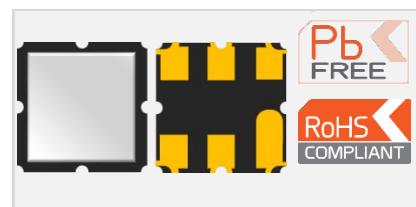
Features

- 1575.42 MHz center frequency
- **2 MHz useable Passband**
- 50 Ω Single Configuration
- Ceramic package for Surface Mounted Technology MHz useable Passband

Applications

- GNSS applications

3.0 x 3.0 mm



Maximum Ratings

Parameter	Min.	Typ.	Max.	Unit
Storage temperature range (T_{stg})	-50		100	$^{\circ}\text{C}$
Operating temperature range (T_A)	-40		85	$^{\circ}\text{C}$
DC Voltage			5	V
Input Power			10	dBm

Frequency and Electrical Characteristics (Reference temperature @ 25 $^{\circ}\text{C}$)

Parameter	Min.	Typ.	Max.	Unit
Source impedance (Single ended)		50		Ω
Load impedance (Single ended)		50		Ω
Center frequency (f_c)		1575.42		MHz
Bandwidth @ -3dB (BW, passband width)	2.00			MHz
Absolute Attenuation				dB
At 1475.42 MHz	35	42		
At 1535.42 MHz	30	44		
At 1615.42 MHz	30	55		
At 1675.42 MHz	40	48		
Insertion Loss (IL, 1574.42 – 1576.42 MHz)		2.6	3.5	dB
Amplitude ripple (1574.42 – 1576.42 MHz)		0.1	1.5	dB
Input/Output VSWR (1574.42 – 1576.42 MHz)		1.5	2.5	

TMX W347

SAW Bandpass Filters | Communications GNSS Applications



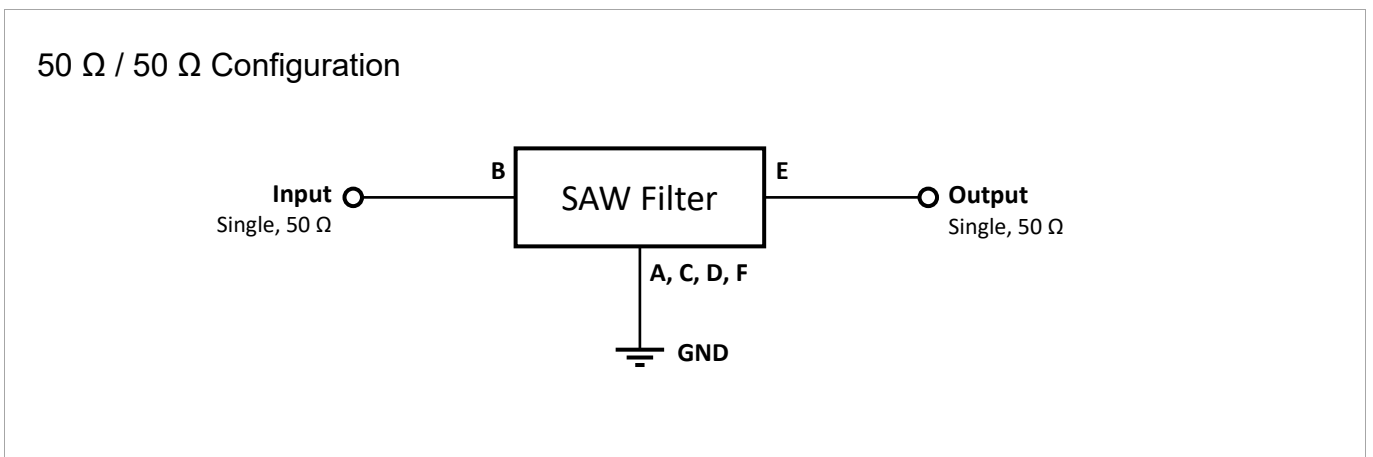
Model Outline, Pin Connection and Marking

Marking	Note
Line 1	NNNN Reference to RakonXpress part number with only the last 4 digits
Line 2	RYWWZZ R = Partner identifier Y = Last digit of the year WW = Number of week in the year ZZ = Lot number in the week (from AA to ZZ)
Line 3	• • = Identify black dot

Pin	Connections
B	Input
E	Output
A, C, D, F	Case Ground

Unit: mm

Test Circuit



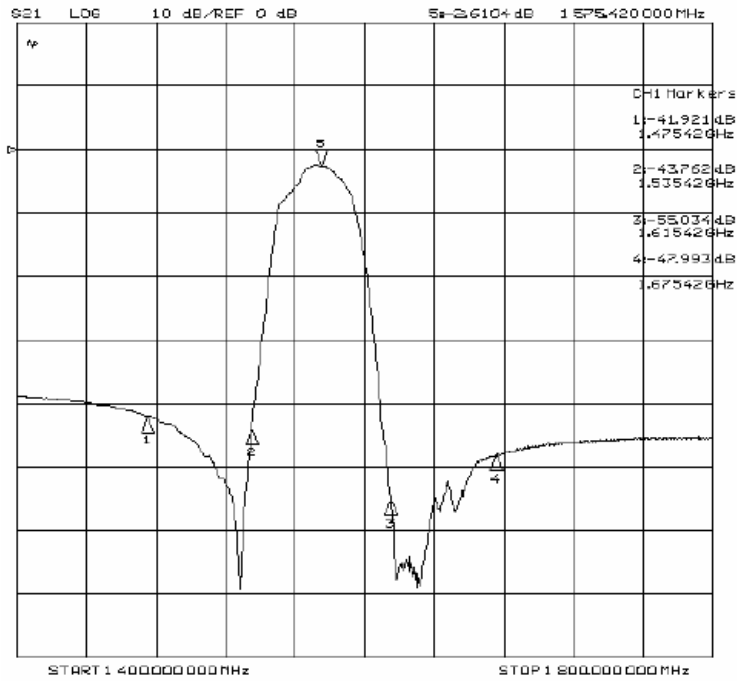
TMX W347

SAW Bandpass Filters | Communications GNSS Applications

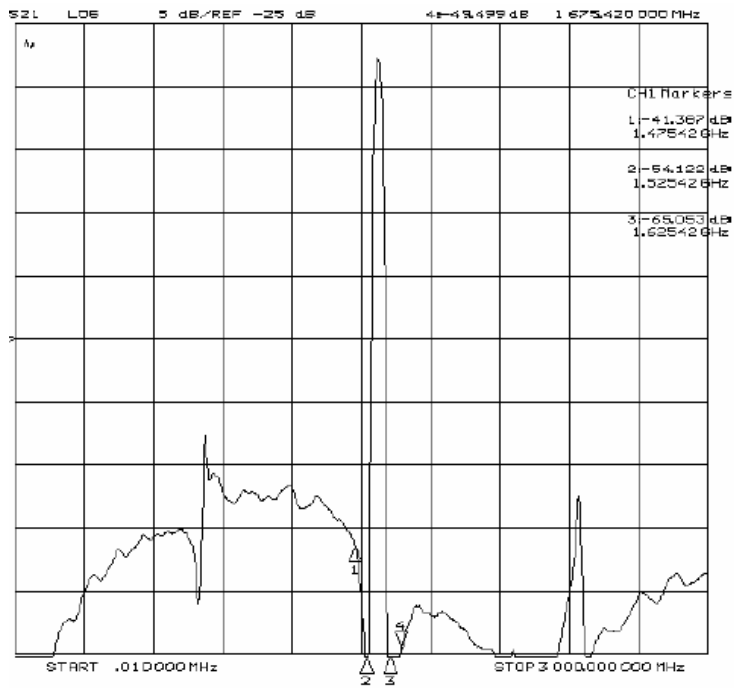


Frequency Characteristics

FREQUENCY RESPONSE



FREQUENCY RESPONSE



TMX W347

SAW Bandpass Filters | Communications GNSS Applications



Packaging

REEL DETAILS:

