

TMX W363

SAW Filter datasheet

3.8 x 3.8 mm, SMD

Table of Contents

Features	1
Maximum Ratings	1
Frequency and Electrical Characteristics (Reference temperature @ 25°C)	1
Model Outline, Pin Connection and Marking	2
Measurement Circuit	2
Frequency Characteristics	3
Packaging	3

TMX W363

SAW Bandpass Filters | Wireless Communications

Features

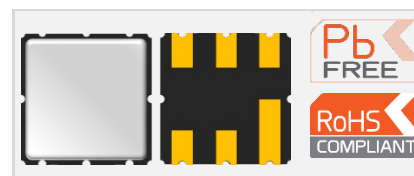
Features

- 428 MHz center frequency
- Ceramic package for Surface Mounted Technology
- 50 Ω Single Configuration
- 4 MHz useable Passband

Applications

- Tetra

3.8 x 3.8 mm



Maximum Ratings

Parameter	Min.	Typ.	Max.	Unit
Storage temperature range (T_{stg})	-40		85	$^{\circ}\text{C}$
Operating temperature range (T_A)	-10		50	$^{\circ}\text{C}$
DC Voltage (V_{DC})			10	V
Input Power			0	dBm

Frequency and Electrical Characteristics (Reference temperature @ 25 $^{\circ}\text{C}$)

Parameter	Min.	Typ. ¹	Max.	Unit
Source impedance (Single ended)		50		Ω
Load impedance (Single ended)		50		Ω
Center frequency (f_c)		428		MHz
Bandwidth @ -3dB (BW, passband width)	4.00			MHz
Absolute Attenuation	328 to 387.2 MHz	50	60	dB
	468.8 to 528 MHz	50	60	
Insertion Loss (IL, 426 – 430 MHz)		3	4.0	dB

TMX W363

SAW Bandpass Filters | Wireless Communications



Model Outline, Pin Connection and Marking

TOP VIEW

3.8±0.2
SQ

Marking

Marking	Note
Line 1	NNNN Reference to RakonXpress part number with only the last 4 digits
Line 2	RYWWZZ R = Partner identifier Y = Last digit of the year WW = Number of week in the year ZZ = Lot number in the week (from AA to ZZ)
Line 3	• • = Identify black dot

FRONT VIEW

1.5
max

SIDE VIEW

Pin	Connections
2	Input
5	Output
1, 3, 4, 6	GND

BOTTOM VIEW

0.6

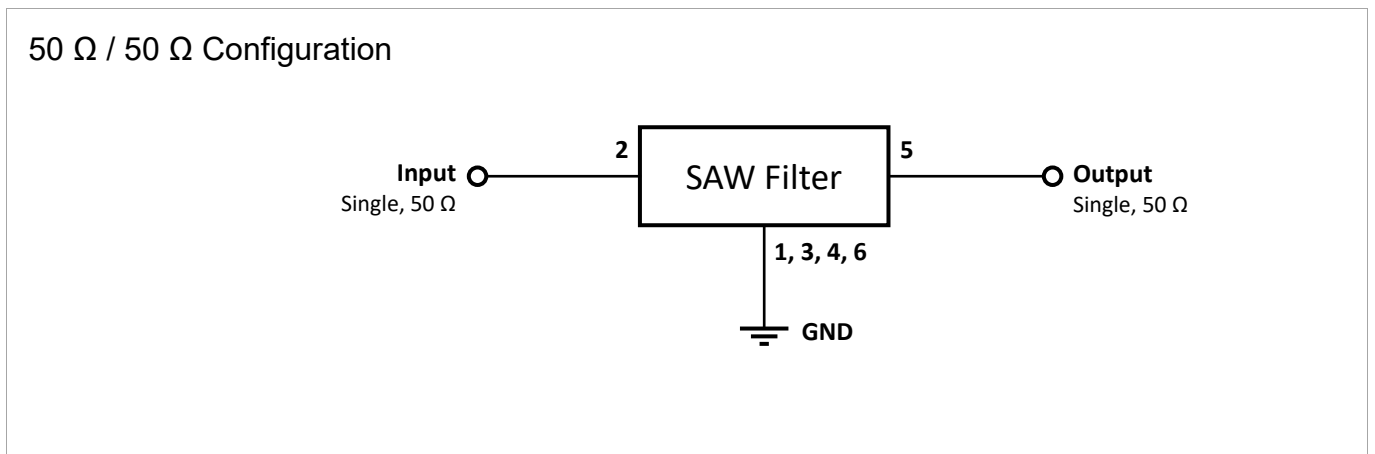
1.90

1.80

1.27

Unit: mm

Measurement Circuit

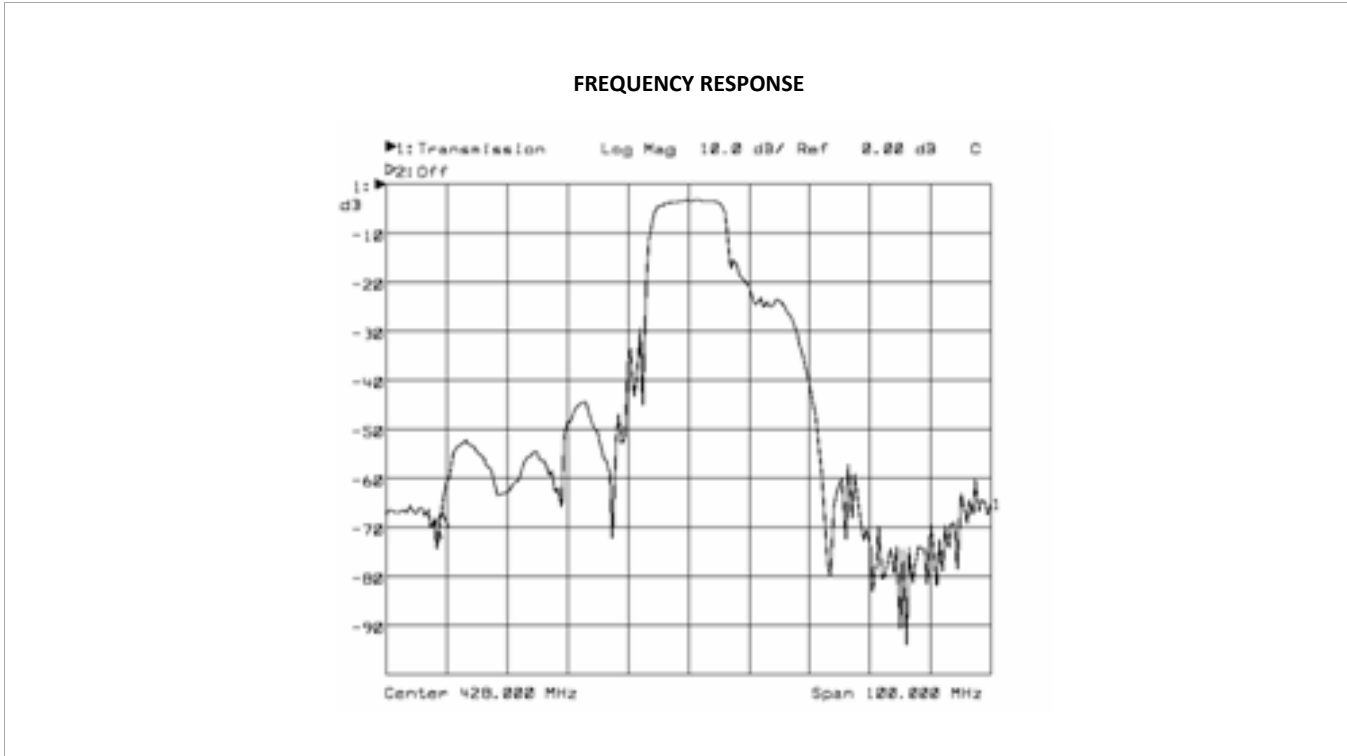


TMX W363

SAW Bandpass Filters | Wireless Communications



Frequency Characteristics



Packaging

REEL DETAILS:

