

RST2016N

1.0 Specification References

Parameter	Description
a. Rakon part number	T6418
b. Description	38.4 MHz RST2016N TCXO
c. Package	L x W x H: 2.0 x 1.6 x 0.7 mm nom.



2.0 Absolute Maximum Rating ¹

Parameter	Min.	Max.	Unit
a. Power supply	-0.3	+4.6	V
b. Storage temperature	-40	85	°C

3.0 Frequency Characteristics

Parameter	Min.	Typ.	Max.	Unit	Test Condition / Description
a. Nominal frequency		38.4		MHz	
b. Frequency calibration			±2.0	ppm	Offset from nominal frequency measured at 25°C±2°C.
c. Reflow shift			±1.0	ppm	Two consecutive reflows as per attached profile after 2 hours relaxation at 25°C.
d. Temperature range	-40		85	°C	The operating temperature range over which the frequency stability is measured
e. Frequency stability over temperature			±0.5	ppm	Referenced to the midpoint between minimum and maximum frequency value over the specified temperature range ²
f. Frequency slope			±0.1	ppm/°C	Minimum of one frequency reading every 2°C over the operating temperature range ²
g. Static temperature hysteresis			0.6	ppm	Frequency change after reciprocal temperature ramped over the operating range. Frequency measured before and after at 25°C
h. Sensitivity to supply voltage variations			±0.1	ppm	Supply voltage varied ±5% at 25°C
i. Sensitivity to load variations			±0.2	ppm	±10% load change at 25°C ³
j. Long term stability			±1	ppm	Frequency drift over 1 year at 25°C

4.0 Power Supply

Parameter	Min.	Typ.	Max.	Unit	Test Condition / Description
a. Supply voltage (V _{DD})	1.7	3.3	3.6	V	With a tolerance of ±5%.
b. Supply current			2.0	mA	At maximum V _{DD} ³

5.0 Oscillator Output

Parameter	Min.	Typ.	Max.	Unit	Test Condition / Description
-----------	------	------	------	------	------------------------------

¹ Operating beyond this limit may result in change or permanent damage to the device.

² Parts should be shielded from drafts causing unexpected thermal gradients. Temperature changes due to ambient air currents on the oscillator can lead to short term frequency drift.

³ Specified for load stated in oscillator output section at 25°C.

a. Output waveform					DC coupled clipped sinewave ⁴
b. Output voltage level	0.8			Vpk-pk	At minimum supply voltage ³
c. Output load	9	10	11	kΩ/pF	(10kΩ // 10pF) ±10%
d. Start-up time (amplitude)			0.5	ms	Within 90% of the minimum specified output level.
e. Start-up time (frequency)			2	ms	Within ±0.5ppm of steady state frequency.

6.0 SSB Phase Noise (38.4 MHz, at 25°C)

Parameter	Typ.	Max.	Unit.	Test Condition / Description
a. 1Hz offset	-62		dBc/Hz	
b. 10Hz offset	-90		dBc/Hz	
c. 100Hz offset	-114		dBc/Hz	
d. 1kHz offset	-135		dBc/Hz	
e. 10kHz offset	-148		dBc/Hz	
f. 100kHz offset	-150		dBc/Hz	

7.0 Marking

Parameter	Test Condition / Description																																																																																																														
a. Type	Engraved																																																																																																														
b. Line 1	[R ##M# YM] R = Rakon, ##M# = Frequency (M=MHz, e.g. 19M2=19.2MHz) ⁵ , YM = Date code*																																																																																																														
c. Line 2	[• XXXX XXX] • = Pin 1, XXXX = Internal Code, XXX = Lot Code																																																																																																														
d. Date code*	<table style="width: 100%; border-collapse: collapse;"> <thead> <tr> <th colspan="6" style="text-align: center;">Y - Year Code</th> <th colspan="4" style="text-align: center;">M - Month Code</th> </tr> <tr> <th>Code</th> <th>Year</th> <th>Code</th> <th>Year</th> <th>Code</th> <th>Year</th> <th>Code</th> <th>Month</th> <th>Code</th> <th>Month</th> </tr> </thead> <tbody> <tr> <td>A</td><td>2010</td><td>J</td><td>2019</td><td>S</td><td>2028</td><td>1</td><td>Jan</td><td>7</td><td>Jul</td> </tr> <tr> <td>B</td><td>2011</td><td>K</td><td>2020</td><td>T</td><td>2029</td><td>2</td><td>Feb</td><td>8</td><td>Aug</td> </tr> <tr> <td>C</td><td>2012</td><td>L</td><td>2021</td><td>U</td><td>2030</td><td>3</td><td>Mar</td><td>9</td><td>Sep</td> </tr> <tr> <td>D</td><td>2013</td><td>M</td><td>2022</td><td>V</td><td>2031</td><td>4</td><td>Apr</td><td>A</td><td>Oct</td> </tr> <tr> <td>E</td><td>2014</td><td>N</td><td>2023</td><td>W</td><td>2032</td><td>5</td><td>May</td><td>B</td><td>Nov</td> </tr> <tr> <td>F</td><td>2015</td><td>O</td><td>2024</td><td>X</td><td>2033</td><td>6</td><td>Jun</td><td>C</td><td>Dec</td> </tr> <tr> <td>G</td><td>2016</td><td>P</td><td>2025</td><td>Y</td><td>2034</td><td></td><td></td><td></td><td></td> </tr> <tr> <td>H</td><td>2017</td><td>Q</td><td>2026</td><td>Z</td><td>2035</td><td></td><td></td><td></td><td></td> </tr> <tr> <td>I</td><td>2018</td><td>R</td><td>2027</td><td></td><td></td><td></td><td></td><td></td><td></td> </tr> </tbody> </table>	Y - Year Code						M - Month Code				Code	Year	Code	Year	Code	Year	Code	Month	Code	Month	A	2010	J	2019	S	2028	1	Jan	7	Jul	B	2011	K	2020	T	2029	2	Feb	8	Aug	C	2012	L	2021	U	2030	3	Mar	9	Sep	D	2013	M	2022	V	2031	4	Apr	A	Oct	E	2014	N	2023	W	2032	5	May	B	Nov	F	2015	O	2024	X	2033	6	Jun	C	Dec	G	2016	P	2025	Y	2034					H	2017	Q	2026	Z	2035					I	2018	R	2027						
Y - Year Code						M - Month Code																																																																																																									
Code	Year	Code	Year	Code	Year	Code	Month	Code	Month																																																																																																						
A	2010	J	2019	S	2028	1	Jan	7	Jul																																																																																																						
B	2011	K	2020	T	2029	2	Feb	8	Aug																																																																																																						
C	2012	L	2021	U	2030	3	Mar	9	Sep																																																																																																						
D	2013	M	2022	V	2031	4	Apr	A	Oct																																																																																																						
E	2014	N	2023	W	2032	5	May	B	Nov																																																																																																						
F	2015	O	2024	X	2033	6	Jun	C	Dec																																																																																																						
G	2016	P	2025	Y	2034																																																																																																										
H	2017	Q	2026	Z	2035																																																																																																										
I	2018	R	2027																																																																																																												

8.0 Manufacturing Information

Parameter	Test Condition / Description
a. Reflow	Solder reflow processes as per profile attached
b. Packaging description	Tape and reel. Standard packing quantity (SPQ) is 3000 units/reel

⁴ External AC-Coupling capacitor required. 1nF or greater recommended.

⁵ Frequency marking is only represented by the first three significant digits. For example, on an RST2016N TCXO at 16.368MHz, its frequency code marking will be 16M3.

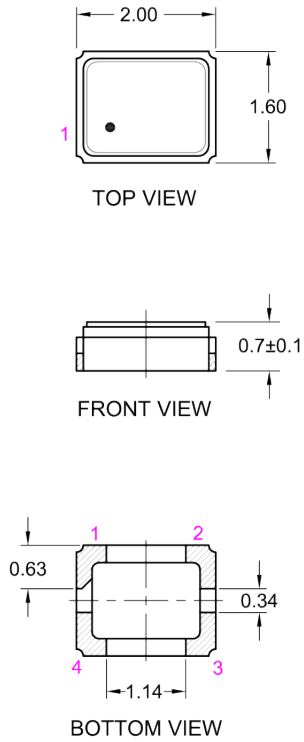
9.0 Environmental Specification

Parameter	Test Condition / Description										
a. RoHS compliant	Yes										
b. Shock	Free dropping from 150 cm height 5 times on a hard wooden board										
c. Moisture resistance	500 ±12 hours at 60°C ±3°C, 85% relative humidity ⁶										
d. Thermal cycling	<p>The unit shall be subjected to 100 successive change of temperature cycles, then 25 ±2°C over 2 hours before testing, each cycle as below:</p> <table border="0"> <thead> <tr> <th>Temperature</th> <th>Duration:</th> </tr> </thead> <tbody> <tr> <td>1. -40 +0/-6°C</td> <td>30 ±3 minutes</td> </tr> <tr> <td>2. 25°C ±2°C</td> <td>2 – 3 minutes</td> </tr> <tr> <td>3. 85 +4/-0°C</td> <td>30 ±3 minutes</td> </tr> <tr> <td>4. 25°C ±2°C</td> <td>2 – 3 minutes</td> </tr> </tbody> </table>	Temperature	Duration:	1. -40 +0/-6°C	30 ±3 minutes	2. 25°C ±2°C	2 – 3 minutes	3. 85 +4/-0°C	30 ±3 minutes	4. 25°C ±2°C	2 – 3 minutes
Temperature	Duration:										
1. -40 +0/-6°C	30 ±3 minutes										
2. 25°C ±2°C	2 – 3 minutes										
3. 85 +4/-0°C	30 ±3 minutes										
4. 25°C ±2°C	2 – 3 minutes										
e. Vibration	Frequency: 10 – 200 Hz Amplitude (total excursion): 1.5 mm (10 – 36 Hz), 4G (36 – 200 Hz) Sweep time: 1 oct/min 3 direction time: 2 hours for each X, Y, Z axis										

⁶ Frequency shift ≤2ppm after environmental conditions.

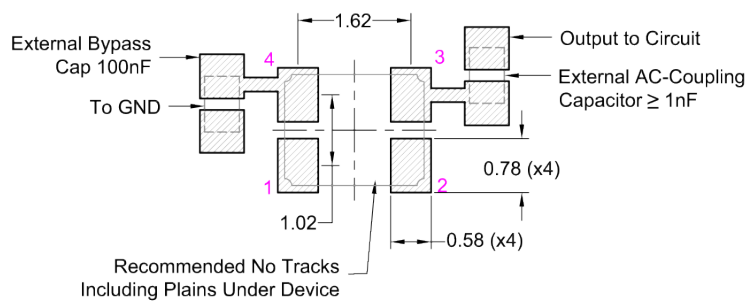
10.0 Model Outline

MODEL OUTLINE



Pin	Connections
1	GND / NC
2	GND
3	OUTPUT
4	Supply Voltage (VDD)

RECOMMENDED PAD LAYOUT - TOP VIEW



TITLE: RIT/RST2016 SERIES MODEL (Package A)

FILENAME: CAT1559

TOLERANCES:

RELATED DRAWINGS:

REVISION: A

XX =

DATE: 25-Nov-2020

X.X = ±0.20

SCALE: 10 : 1

X.XX = ±0.15

Millimetres

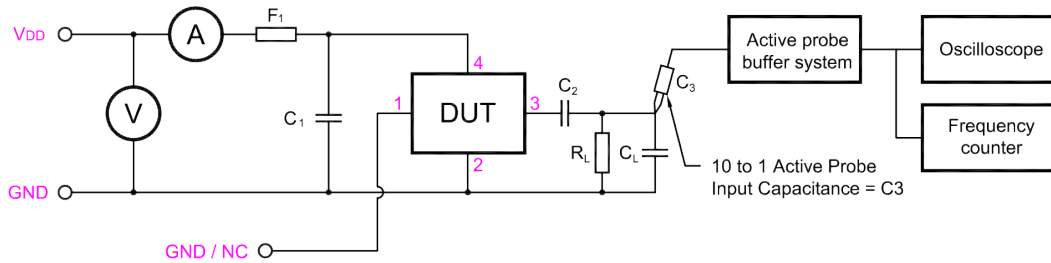
X.XXX =

X° =

Hole =

11.0 Test Circuit

CLIPPED SINEWAVE:



C_1 : 100nF	$C_T = C_L + C_3$ (C_3 - Oscilloscope probe capacitance)
C_2 : ≥ 1 nF	C_T as stated in OSCILLATOR OUTPUT section
R_L : 10K	F_1 : A ferrite bead or a resistor between $22\Omega \sim 47\Omega$ recommended.

TITLE: RIT/RST N SERIES HS-TCXO TEST CIRCUIT (Package A)

FILENAME: CAT1563

RELATED DRAWINGS:

REVISION: A

DATE: 01-Dec-2020

SCALE: NTS

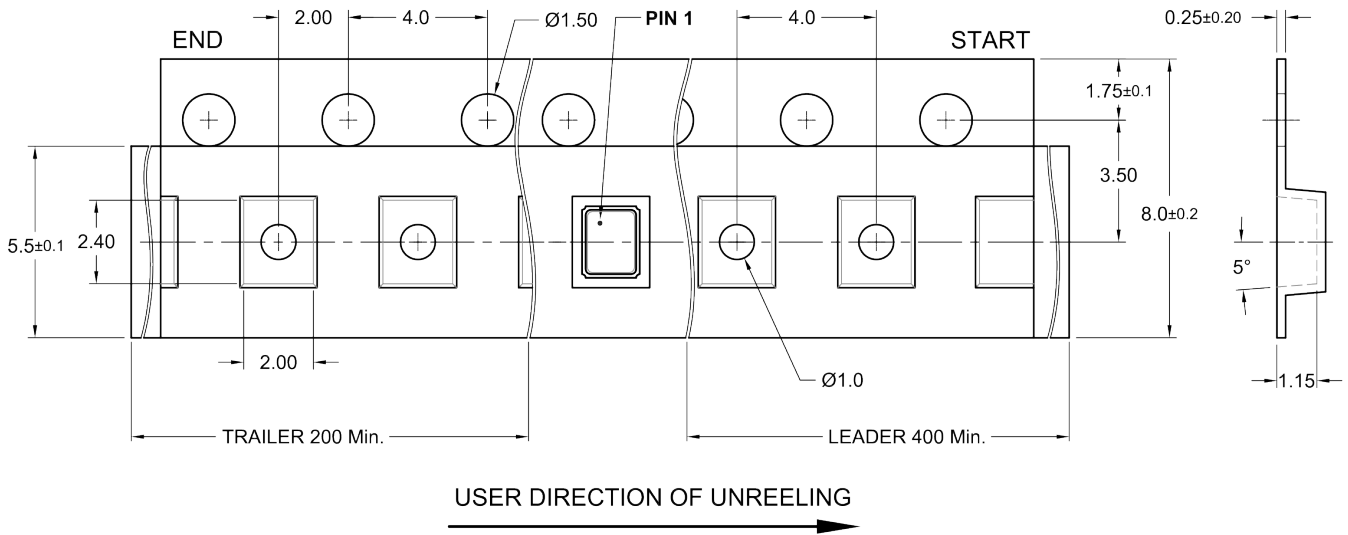
Millimetres



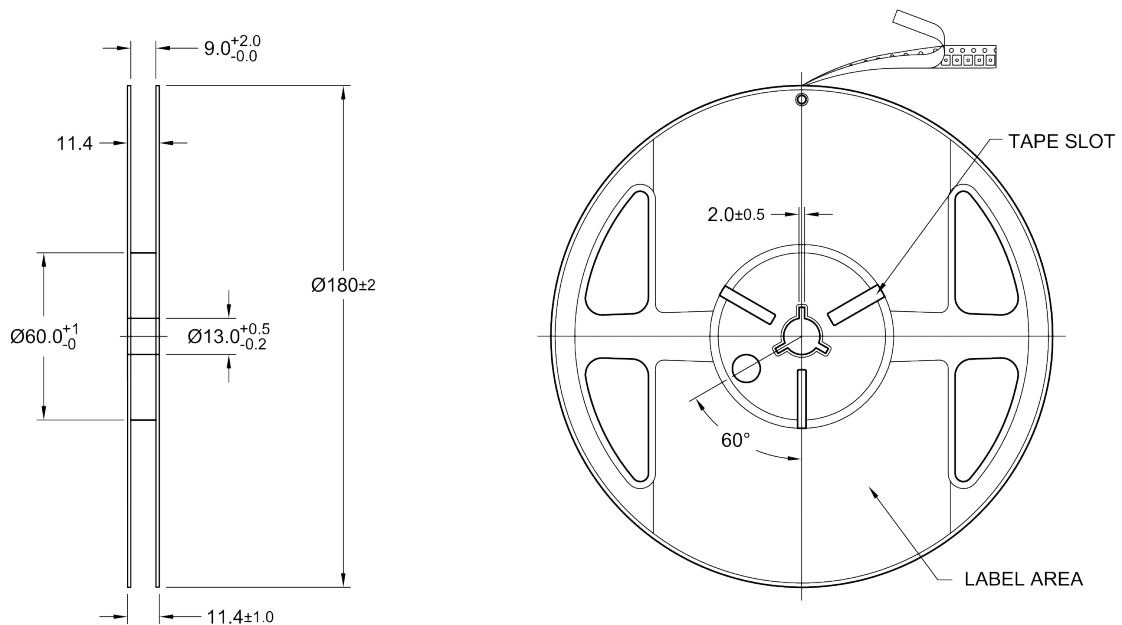
© 2020 Rakon Limited

12.0 Tape and Reel

TAPE DETAILS



REEL DETAILS



Note: The tape & reel packaging specifications follow the guidelines of the EIA Standard EIA-481.

TITLE: RST/RIT/IT 2016 TAPE & REEL (Package A, N)

FILENAME: CAT1087

TOLERANCES:

RELATED DRAWINGS:

REVISION: C

XX =

DATE: 09-Jun-2020

X.X = ±0.2

SCALE: As above

X.XX = ±0.10

Millimetres

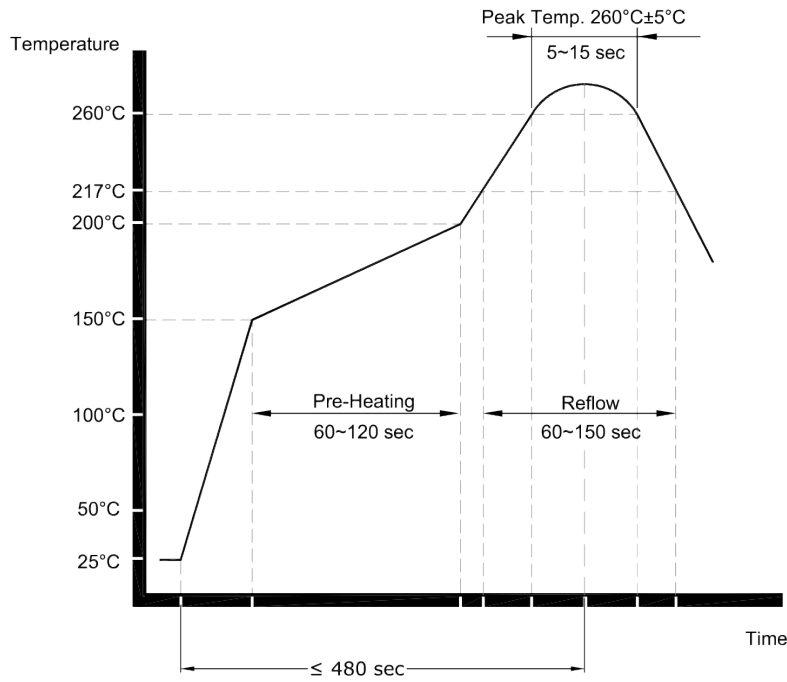
X.XXX =

X° =

Hole =

© 2017 Rakon Limited

13.0 Reflow



TITLE: Pb-FREE Reflow (Package A/AG)

RELATED DRAWINGS:

FILENAME: CAT1036

REVISION: B

DATE: 03-Mar-2017

SCALE: NTS

Millimetres

TOLERANCES:

XX =

X.X =

X.XX =

X.XXX =

X° =

Hole =



© 2017 Rakon Limited

14.0 Specification History

Revision	User	Notes	Approver(s)	Date
A	TXP	Standard 2016 TCXO specification created	CG	2021-01-19
B	TXP	Pin 1 can be GND or NC. No Power Down function	CG	2021-03-18
C	RXP	Change TemesXpress to RakonXpress	CG	2022-12-05