

## RTF1610 – SMD Tuning Fork Crystal

1.6 x 1.0 mm, SMD

### Product Features

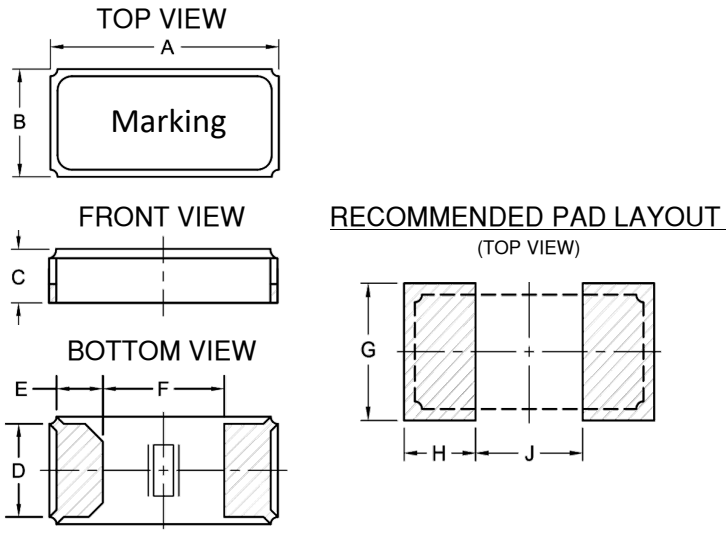
- Compact, low profile (1.6 x 1.0 x 0.5 mm) and lightweight SMD tuning fork crystal resonator.
- Ceramic package and metal lid assures extreme accuracy and high-reliability through utilising electron beam sealing method.
- Applications: Microprocessors, Mobile Communications, DVC/DSC, SSD/HDD, GNSS and general purpose.



### Frequency and Electrical Characteristics

Parameter	Min.	Typ.	Max.	Unit	Test condition / Description
Nominal frequency (Fn)		32.768		kHz	
Frequency tolerance		±20		ppm	At 25°C
Turnover temperature (°C)		25 ±5		°C	
Parabolic coefficient		-0.03 ±0.01		ppm/°C <sup>2</sup>	
Motional capacitance		6.0		fF	
Drive level			0.5	µW	
Operating temperature range	-40		+85	°C	
Storage temperature range	-55		+125	°C	
Load capacitance (Lc) Standard part number <sup>1</sup> : 106386 106392 106387 106388		6, 7, 9, 12.5 6 7 9 12.5		pF	±20 ppm frequency tolerance
Motional resistance (ESR)			90	kΩ	
Standard Packing Quantity (SPQ)			9000	pcs/reel	Φ300mm reel

### Model Outline, Recommended Pad Layout and Marking



Code	Dimension (mm)
A	1.6 ± 0.1
B	1.0 ± 0.1
C	0.5 max.
D	0.86 ± 0.1
E	0.4 ± 0.1
F	0.69 ± 0.1
G	1.0 ± 0.1
H	0.5 ± 0.1
J	0.6 ± 0.1

<sup>1</sup> Consult Rakon sales representatives for other specifications. All specifications and markings are subject to change without notice.